



- This inspection must be carried out only by a Department of Transport and Main Roads (TMR) Officer, a Queensland Police Service Officer or HVRAS Authorised Person.
- This inspection sheet must be used in conjunction with *Vehicle Details Inspection Sheet (form F3529)*.

## 1. Vehicle details

Body type (e.g. tray, tipper, pantech) Make/Model

VIN/Chassis/Engine number

## 2. Is the vehicle imported?

Yes  No  **Go to Question 3**

Was the vehicle previously registered in Australia?

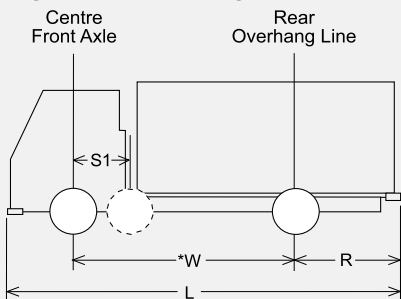
Yes  Previous Registration number  **Go to Question 3**

No  Vehicle must be presented at a TMR customer service centre for inspection and a copy of the import approval for the vehicle provided.

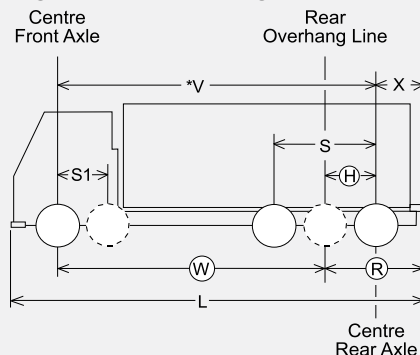
## 3. Measurements

- Using the diagram as a guide, provide the following dimensions in metres correct to two decimal places (e.g. 12.54, 2.42).
- Write the number of tyres per axle in the wheel spaces.
- Letters in circles, for example (R), indicate distances that are to be calculated using formulas provided.
- If the truck is fitted with a retractable axle, all measurements are to be taken with the retractable axle, in contact with the ground and in the lifted position. Use a separate inspection sheet for each configuration.

### Rigid Truck with single axles



### Rigid Truck with axle group/s



Width	.
Height	.
L	.

For Rigid Trucks with a single rear axle.

S1 (if applicable)	.
W	.
R	.

For Rigid Trucks with a rear axle group (W) and (R) measurements must be calculated.

V	.
S1	.
S	.
X	.
(W) = (V - (H)) =	.
(R) = (X + (H)) =	.

<sup>1,2</sup> This measurement is the extreme axle distance for registration purposes.

## 4. Rear Overhang Line (for rigid trucks with rear axle groups)

Tick (✓) the relevant rear axle group, then calculate for '(H)' using the formula given.

Rear Axle Group	Axle groups with the same number of tyres per axle <input type="checkbox"/>	<input type="checkbox"/>	<input type="checkbox"/>
		F (2) (4) R	F (4) (2) R
Calculation of '(H)'	$(H) = \frac{S}{2} =$	$(H) = \frac{S}{3} =$	$(H) = \frac{S \times 2}{3} =$

## 5. Regulation Limits

1. Is the width of the vehicle 2.50 metres or less, or 2.55 metres or less for a safer freight vehicle?<sup>3</sup>
2. Is the height of the vehicle 4.30 metres or less or 4.60 metres or less if built to carry livestock?
3. Is 'L' 12.50 metres or less?
4. Is 'R' 3.70 metres or less?
5. Is 'R' equal to or less than 60% of 'W'? (i.e. 'W' x 0.6 = \_\_\_\_\_)

Yes  No

Yes  No

Yes  No

Yes  No

Yes  No

If a box like this  is ticked, the vehicle does not comply with regulation limits. The vehicle, if eligible, must operate under a notice, permit or approval. For information about notices, permits or approvals, visit the National Heavy Vehicle Regulator (NHVR) webpage at [www.nhvr.gov.au](http://www.nhvr.gov.au). For further advice contact the NHVR Vehicle Standards Team on 13 64 87 or email [vehiclestandards@nhvr.gov.au](mailto:vehiclestandards@nhvr.gov.au) prior to attending a TMR customer service centre to register the vehicle.

<sup>3</sup> Safer freight vehicle requirements are in the *Heavy Vehicle (Mass, Dimension and Loading) National Regulation, Section 5B*.

**6. Axle Group**

- 1. If the vehicle has a Twin Steer Front Axle Group Is 'S1' between 1.00 metre and 2.00 metres? Yes  No
- 2. If the vehicle has a Tandem Axle Group is 'S' between 1.00 metre and 2.00 metres? Yes  No
- 3. If the vehicle has a Rear Tri Axle Group is 'S' between 2.00 metres and 3.20 metres? Yes  No
- 4. Is the rear axle group fitted with load sharing suspension? Yes  No
- 5. Is the front axle group fitted with load sharing suspension? Yes  No

If a box like this  is ticked, the vehicle does not comply with axle group requirements. Contact the NHVR Vehicle Standards Team on 13 64 87 or email [vehiclestandards@nhvr.gov.au](mailto:vehiclestandards@nhvr.gov.au) for further details prior to attending a TMR customer service centre to register the vehicle.

**7. GVM/GCM details**

Front Axle Rating <input type="text"/> kg	Tyre type: Conventional <input type="checkbox"/> Radial <input type="checkbox"/>	Size <input type="text"/>	Ply Rating <input type="text"/>	Load Rating <input type="text"/>	Speed Rating <input type="text"/>
Rear Axle Rating <input type="text"/> kg	Tyre type: Conventional <input type="checkbox"/> Radial <input type="checkbox"/>	Size <input type="text"/>	Ply Rating <input type="text"/>	Load Rating <input type="text"/>	Speed Rating <input type="text"/>
GVM <input type="text"/> kg	GCM <input type="text"/> kg	B/Double Rating <input type="text"/> kg	Roadtrain Rating <input type="text"/> kg		

GVM/GCM obtained from (tick one box only):-

Register of Approved Vehicles  Identification/Compliance Plate  Vehicle/Manufacturer's Plate  Modification Plate

Other (for example manufacturer's rating letter)  Please state

Does the vehicle exceed mass limits? No  Yes  Vehicle does not comply to mass limits and can not be registered.

**8. Declaration** Inspection was carried out by (Tick one box) (Please affix Office/Business Stamp)

TMR Officer  Queensland Police Service Officer  HVRAS Authorised Person

I have inspected the vehicle indicated on this form and certify the information contained in this form is complete, true and correct and has been taken from the vehicle itself.

Full name (please print)  Customer Reference Number

Signature

Date



**Privacy statement:** TMR collects the personal information in the above declaration to support that the inspection has been carried out on the said vehicle. This information may be released by TMR or its agents/contractors to parties such as the NHVR, vehicle insurers, statutory/insolvency entities, lawyers, persons involved in vehicle accidents/incidents and to or through interstate registering authorities. This information will be held by TMR and your personal information will not be disclosed to a third party without your consent, unless authorised or required to do so by law.